

LIE-202-#

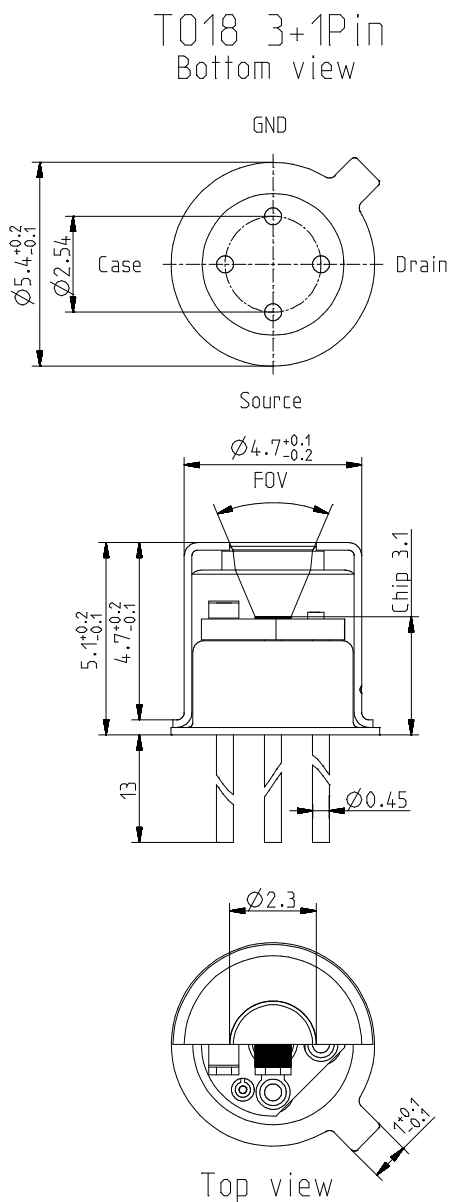
Single channel pyroelectric detector

Description:

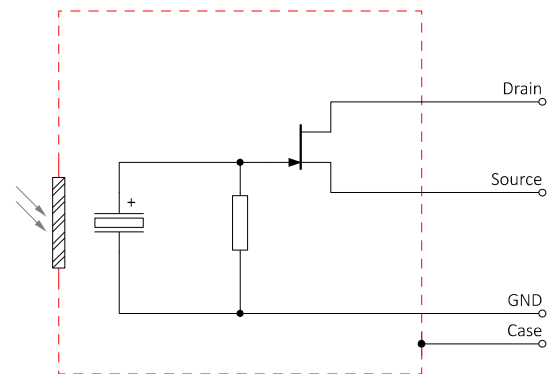
single channel; TO18 housing; small chip size;
JFET; voltage mode;



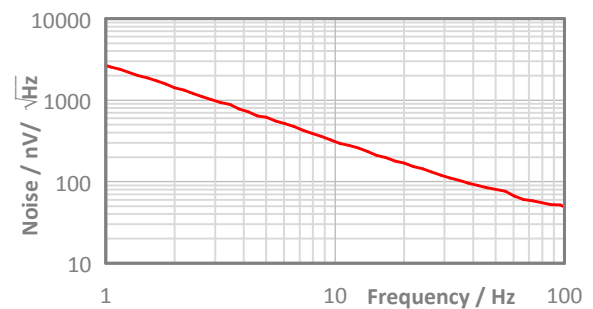
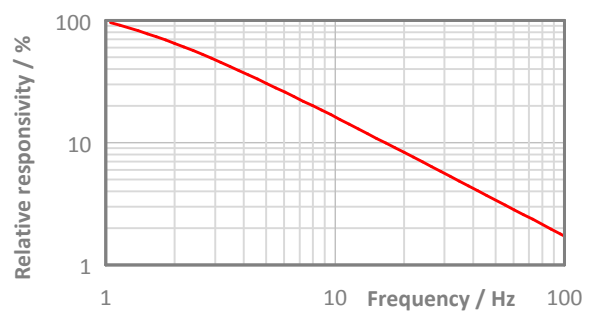
Housing:



Pin Assigment:



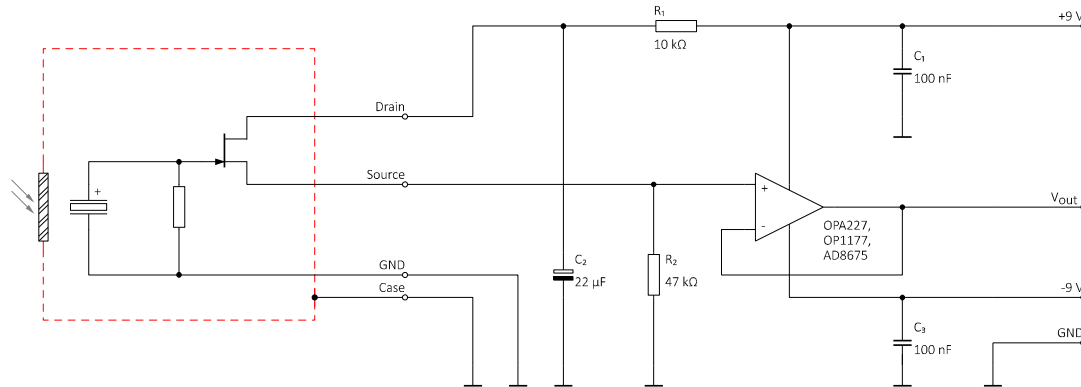
Frequency Response:



LIE-202-#

Single channel pyroelectric detector

Test Circuit:



Parameters:

Aperture size	nom	∅2.3 mm
Element size / type	nom	1.4 × 1.0 mm ² lithium-tantalate with black layer
Thermal time constant	typ	150 ms
Electrical time constant	typ	2 s
Polarity	nom	Positive signal by positive IR flux change
Voltage responsivity (rms) {500 K, 10 Hz, 25 °C, without filter/window}	min	900 V/W
Noise density (rms) {10 Hz, BW 1 Hz, 25 °C}	max	350 nV/√Hz
Detectivity {500 K, 10 Hz, 1 Hz, 25 °C, without filter/window}	typ	4.0E+08 cmVHz/W
Offset voltage {opt. Drain current = 10 ... 100 μA}	nom	0.4 ... 1.5 V
Drain source voltage	max	18 V
Potential of detector case	nom	Selectable potential between -24 ... +24 V to Ground {EMC requires low-impedance coupling}
Operating / Storage temperature	nom	-25 ... +85 °C
IR filter		All InfraTec windows and filters are available (except KBr and CsI). Customized filters upon request.
Filter sizes	nom	Rectangular filters: (2.70 × 2.70) mm +0/-0.05 mm Circular filters: ∅3.3 mm ±0.1 mm Standard thickness: 0.50 mm +0.2/-0.1 mm Thickness range 0.70 ... 1.10 mm on request
Field of View	min	CaF ₂ or BaF ₂ ; 0.4 mm thick: 40° Silicon substrate; 0.5 mm thick: 45°

If visible light can penetrate the glass-metal seal in the detector socket, a small signal caused by light leakage may occur. InfraTec reserves the right to change these specifications at any time without notification.